

GOLDBERG BROTHERS Barn Door Hardware

MP Series Straight Strap - Installation Instructions

6008H-*

Included Hardware

Straight strap hangers (2)
Anti-jump block screws (2)
Rubber bumper bands (2)

1 1/4" Carriage bolts (4)
Anti-jump blocks (2)
Track stops (2)

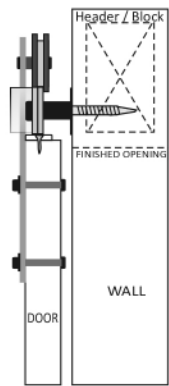
2 1/2" Carriage bolts (4)
Hex lag bolts (6)
Felt pads (2)

Keyp Nuts (4)
1/2" Spacers (12)

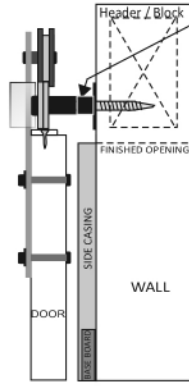
T-guide (1)
1" Spacers (6)

T-guide screws (2)
Washers (6)

Basic Installation Layouts



Standard hardware set installed with no casing, base, or other trim.



Standard hardware set + 1/2" or 1" extension kit installed where casing, base, or other trim is 1/2" thick or greater.

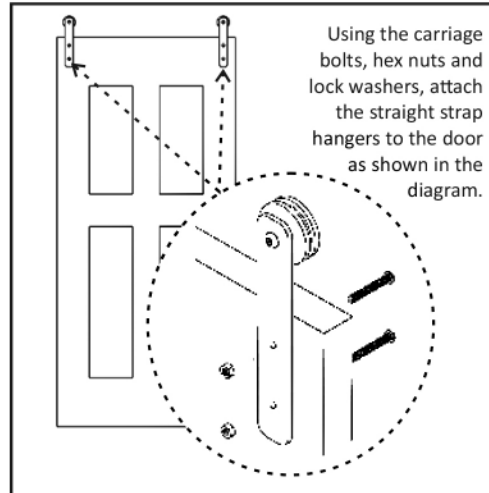
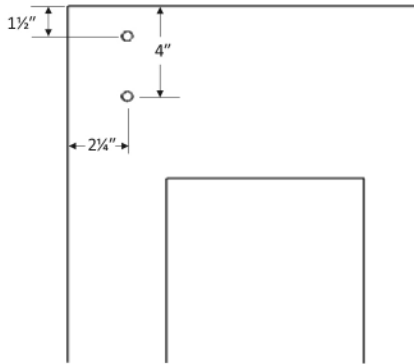
1/2" or 1" Extensions

Note: Use the provided installation layouts and table to establish what combination of spacers will be used to install the track on the wall.

Door Thickness	Extension	Spacer(s)
1 3/8"	-	1"
1 3/8"	1/2"	1" + 1/2"
1 3/8"	1"	1" + 1/2" + 1/2"
1 3/4"	-	1" + 1/2"
1 3/4"	1/2"	1" + 1/2" + 1/2"

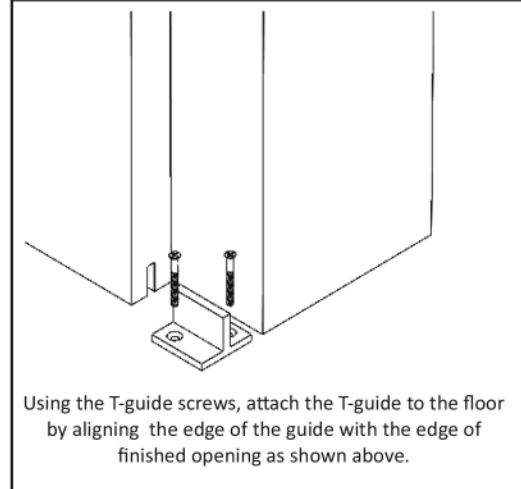
Door Prep and Hanger Installation

2 1/4" from both sides of the top half of the door, measure down 1 1/2" and 4" and drill 1/8" pilot holes followed by 3/16" pilot holes.

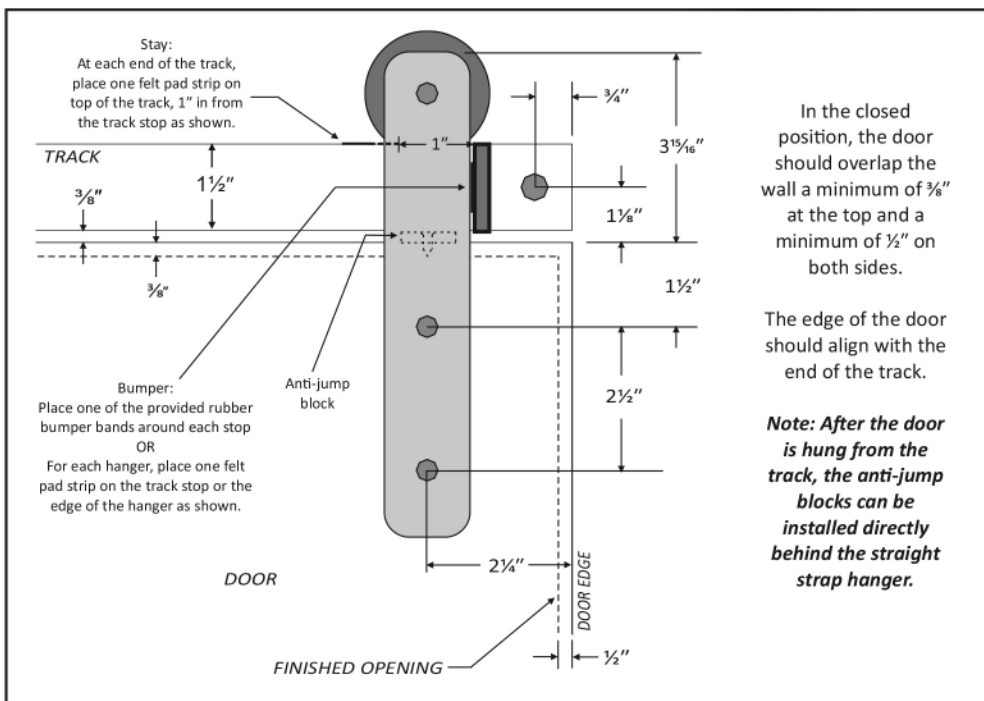


Using the carriage bolts, hex nuts and lock washers, attach the straight strap hangers to the door as shown in the diagram.

T-guide Installation



Using the T-guide screws, attach the T-guide to the floor by aligning the edge of the guide with the edge of finished opening as shown above.

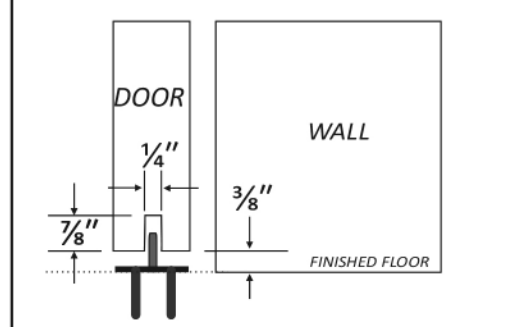


In the closed position, the door should overlap the wall a minimum of 3/8" at the top and a minimum of 1/2" on both sides.

The edge of the door should align with the end of the track.

Note: After the door is hung from the track, the anti-jump blocks can be installed directly behind the straight strap hanger.

Plumb the door before fastening door guide to floor.



Limited Lifetime Warranty

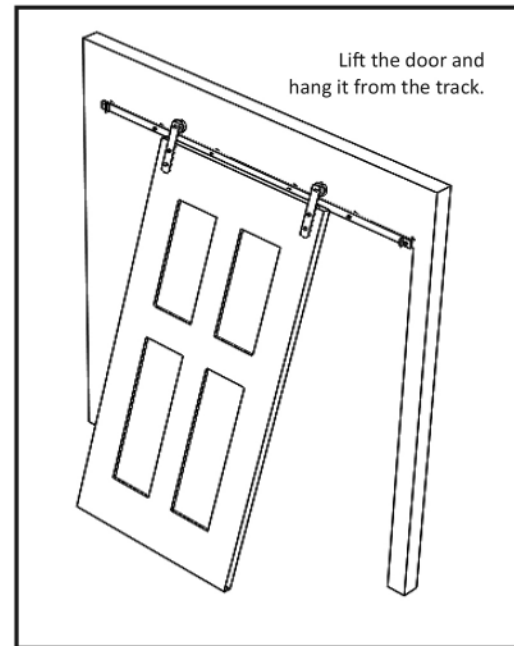
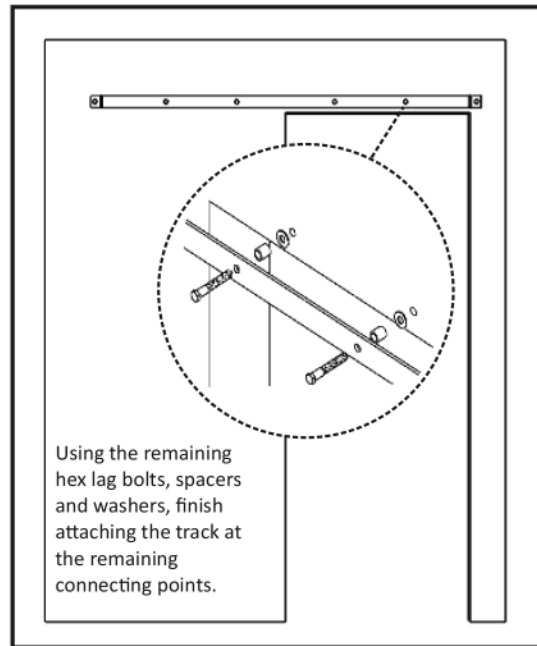
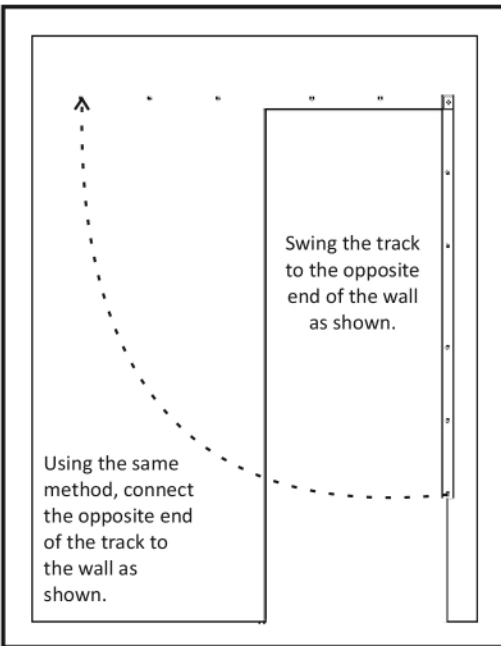
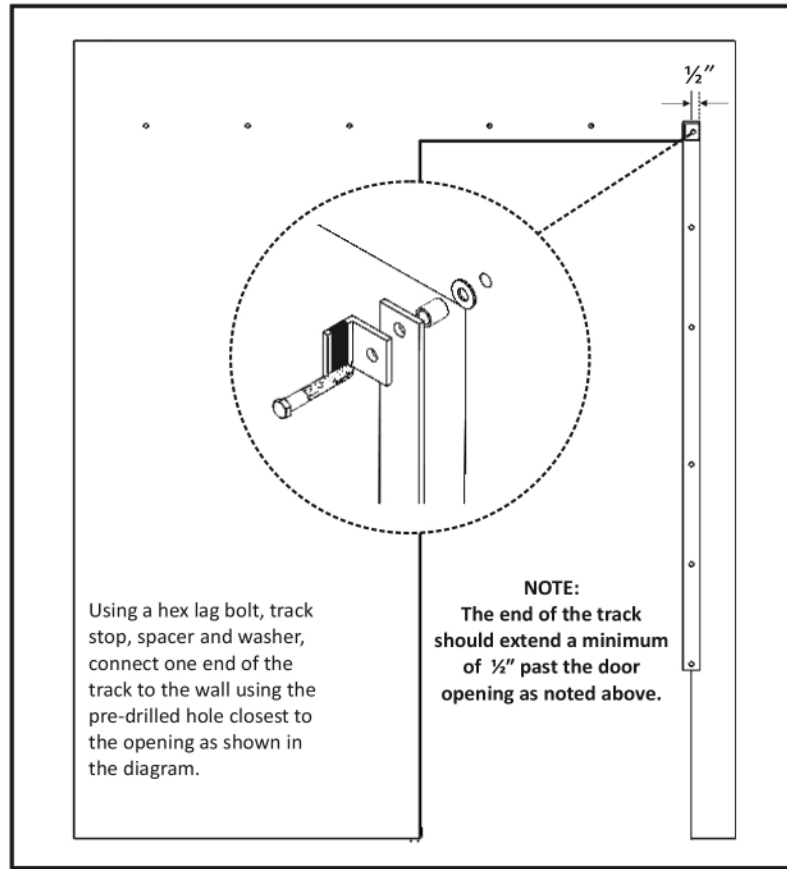
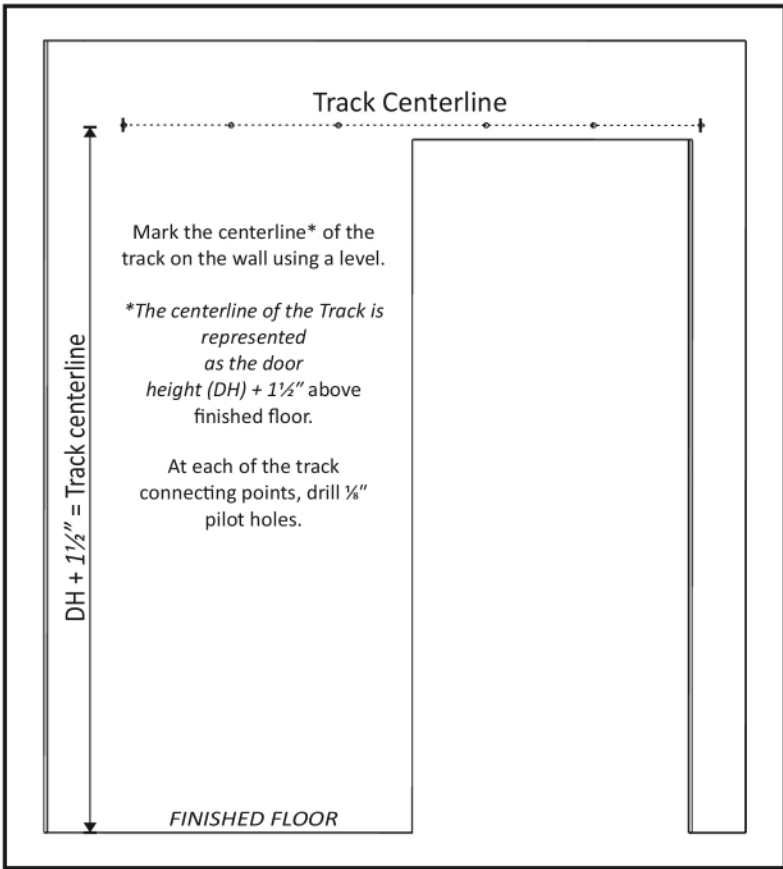
Goldberg Brothers warrants the functionality of its barn door hardware sets and tracks with a limited lifetime manufacturer's warranty for defective parts under normal installation and use. Warranty is subject to repair or replacement of defective components at manufacturer's discretion and does not include installation costs.

This warranty does not apply to the cosmetic condition of any products or components. Goldberg Brothers barn track is sold as a rustic finished hardware and may develop scratches or other signs of wear during manufacturing or normal installation and use. Further, Goldberg Brothers does not warrant against any cosmetic imperfections in the steel parts that may be seen through the finish.

Certain accessories included but not limited to felt strips, rubber bumper bands, and Soft Stop motion buffer mechanisms have finite expected lifetimes due to wear and loss of tension or resilience during normal use over an extended period. Except for manufacturing defects that become apparent within 1 year of purchase, these accessories are not covered under this limited lifetime warranty. Replacement accessories may be purchased as needed from Goldberg Brothers retailers. Except for stainless steel components, Goldberg Brothers barn door hardware products are not warranted against rust. Some rusting is possible on any raw steel or powder coated steel hardware installed outdoors or anywhere else that it may be exposed to high humidity, rain, snow, or running water.

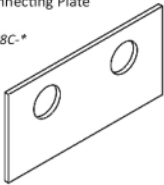
This warranty does not include loss or defects caused by elements outside the control of Goldberg Brothers, Inc., such as natural disasters, weather, fire, water leakage, abuse, improper installation, or anything else deemed out of the control of Goldberg Brothers, Inc.

Track Installation



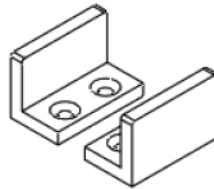
Optional Accessories

Track Connecting Plate
1 each
Part #6008C-*



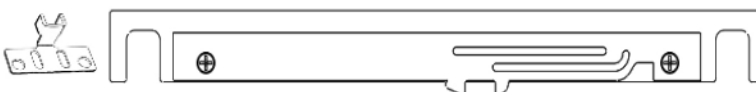
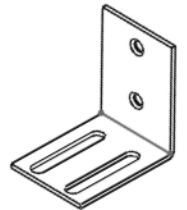
Door Guide "U"
1 set
Includes 2 "U" guides, 2 wood screws and 1 felt pad
Part #6001U-*

NOTE: Use the provided T-guide wood screws for U-guide installation.



Sidewall Guide Bracket
1 each
Includes 1 bracket, 4 machine screws, 4 nuts and 1 felt pad
Part #6001SW-*

NOTE: Use the provided T-guide wood screws for sidewall guide installation.



MP Soft Stop
1 set
Includes 2 Soft Stop mechanisms, 2 triggers and 4 wood screws
Part #6008SOFT11 (4'-7' track)
Part #6008SOFT17 (8'+ track)



Goldberg Brothers, Inc.
10488 W Centennial Rd, Suite 100
Littleton, CO 80127
(303) 321-1099

* Indicates that the related part is available in various colors.