

# BARN DOOR HARDWARE INSTALLATION GUIDE

Goldberg Brothers Stainless Steel Series straight/flattop/J-strap hardware sets  
For catalog numbers 60053H, 60054H, 60055H, 60053HJ, 60054HJ, 60055HJ, 60053HFT, 60054HFT, and 60055HFT

## Included Hardware

Straight strap hangers (2)  
Track stops (2)

T-guide (1)  
T-guide screws (2)

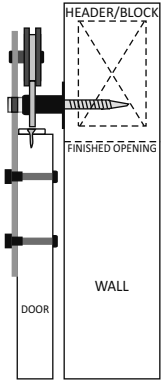
Carriage bolts (4)  
Hex lag bolts (6)

Washers (6)  
Cap nuts (4)

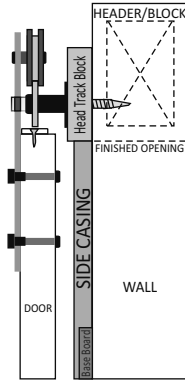
Anti-jump blocks (2)  
Anti-jump block screws (4)

Spacers (6)  
Allen wrench (1)

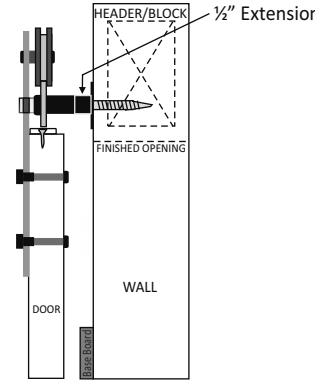
## Basic Installation Layouts



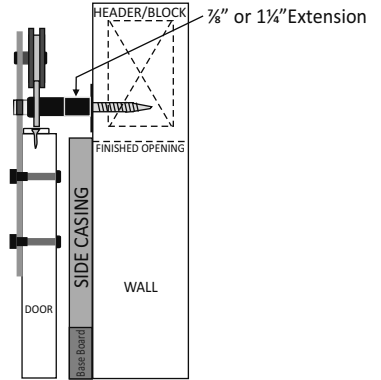
Standard Hardware Pack installed with no casing, base, or other trim.



Standard Hardware Pack installed on track trim board that is equal to or thicker than casing, base, or other trim.



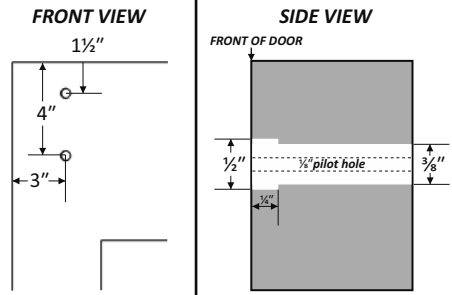
Standard Hardware Pack + 1/2" Extension Kit installed where casing, base, or other trim is up to 1/2" thick.



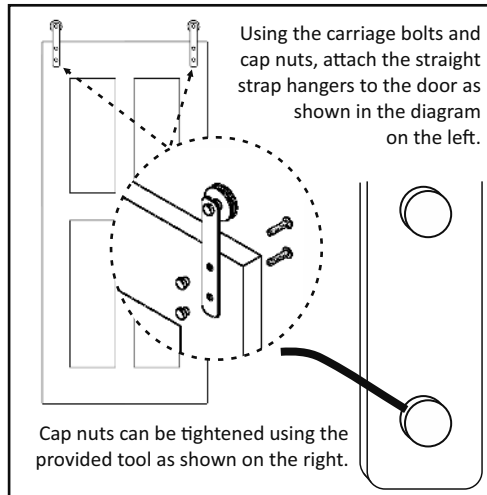
Standard Hardware Pack + 3/8" or 1/4" Extension Kit installed where casing, base, or other trim is greater than 1/2".

## Door Prep and Hanger Installation

3" in from the top left and right corners of the door, measure down 1 1/2" and 4", then drill 1/8" pilot holes. From the front of the door, counterbore each hole by using a 1/2" bit and drilling 3/4" deep. Finally, enlarge the remaining portion of the pilot hole using a 3/8" bit.



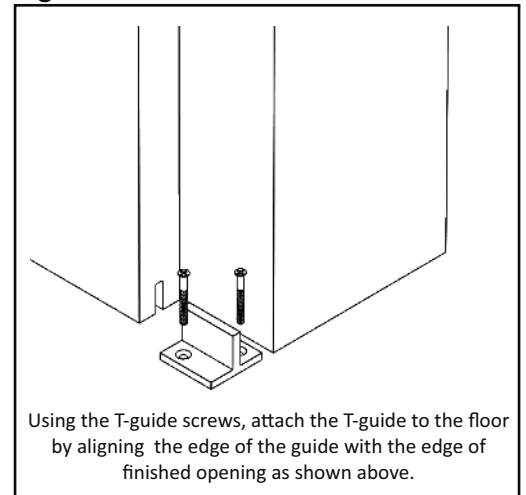
For large projects, installation templates are available for purchase.



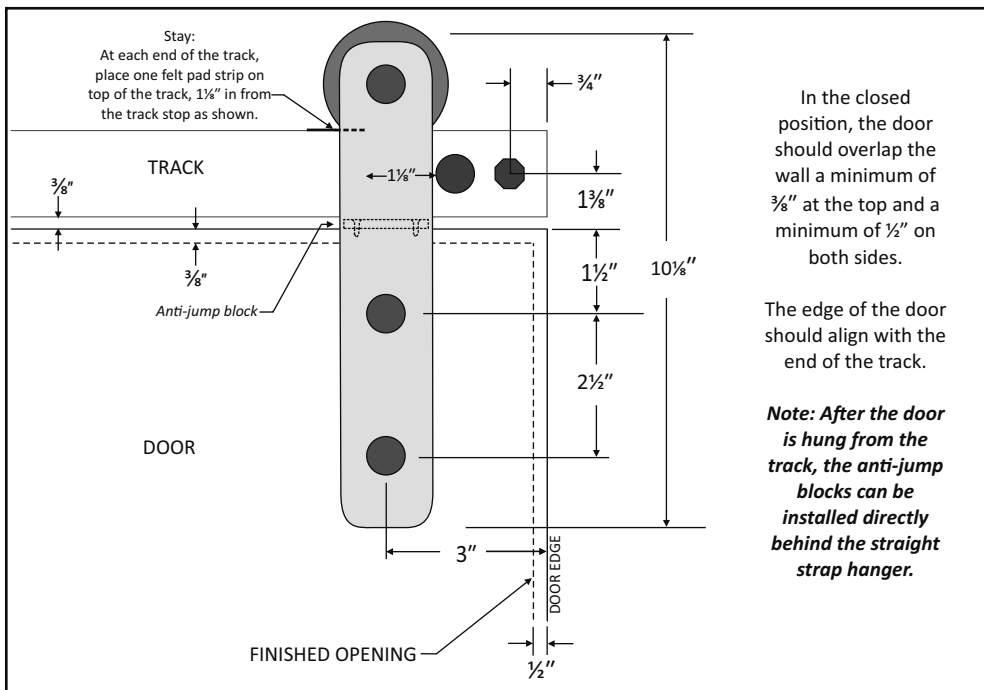
Using the carriage bolts and cap nuts, attach the straight strap hangers to the door as shown in the diagram on the left.

Cap nuts can be tightened using the provided tool as shown on the right.

## T-guide Installation



Using the T-guide screws, attach the T-guide to the floor by aligning the edge of the guide with the edge of finished opening as shown above.



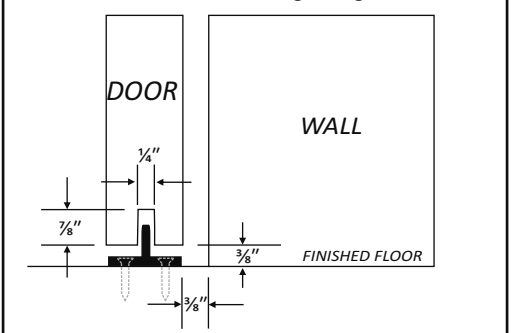
Stay:  
At each end of the track, place one felt pad strip on top of the track, 1 1/4" in from the track stop as shown.

In the closed position, the door should overlap the wall a minimum of 3/8" at the top and a minimum of 1/2" on both sides.

The edge of the door should align with the end of the track.

**Note: After the door is hung from the track, the anti-jump blocks can be installed directly behind the straight strap hanger.**

## Plumb the door before fastening door guide to floor.



Goldberg Brothers warrants the functionality of its barn door hardware sets and tracks with a limited lifetime manufacturer's warranty for defective parts under normal installation and use. Warranty is subject to repair or replacement of defective components at manufacturer's discretion and does not include installation costs.

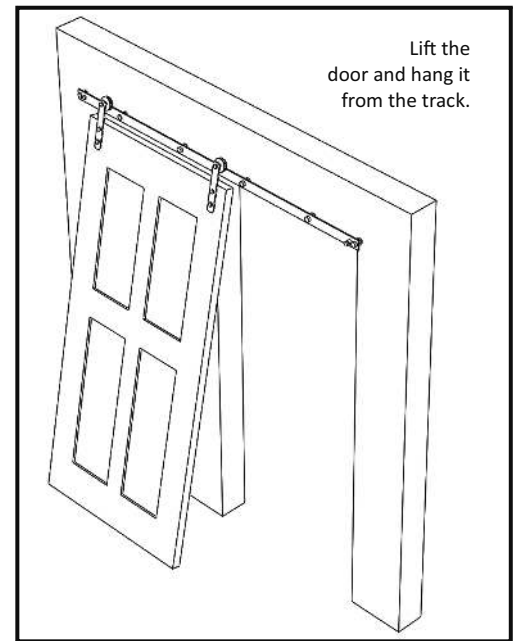
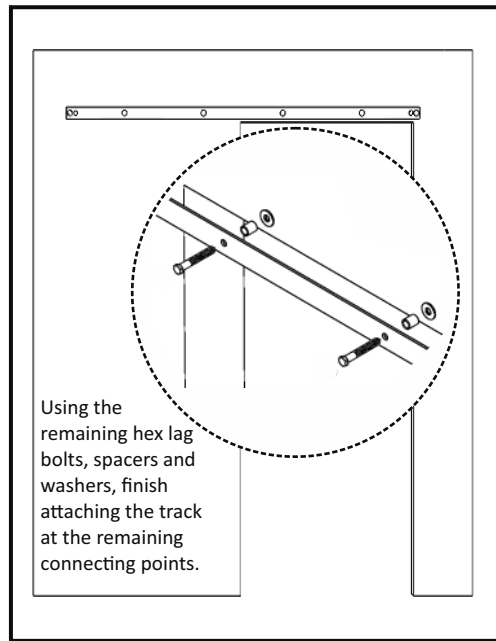
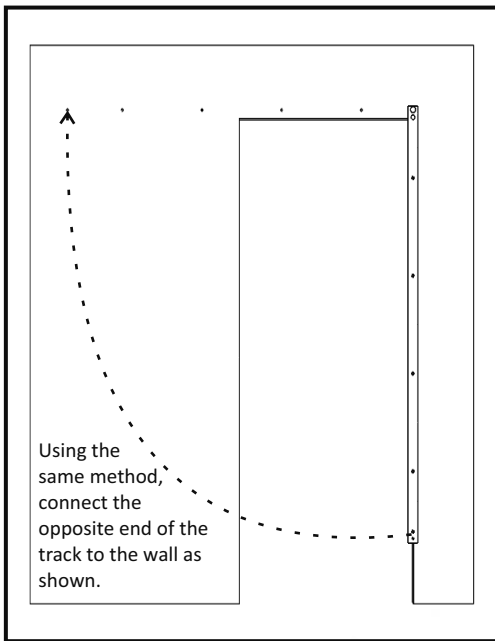
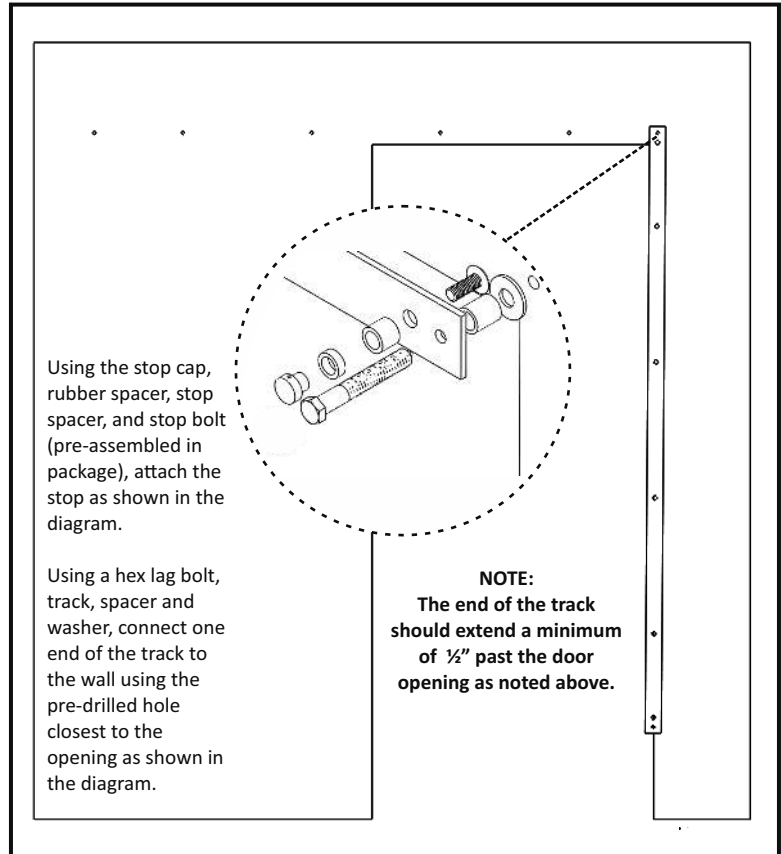
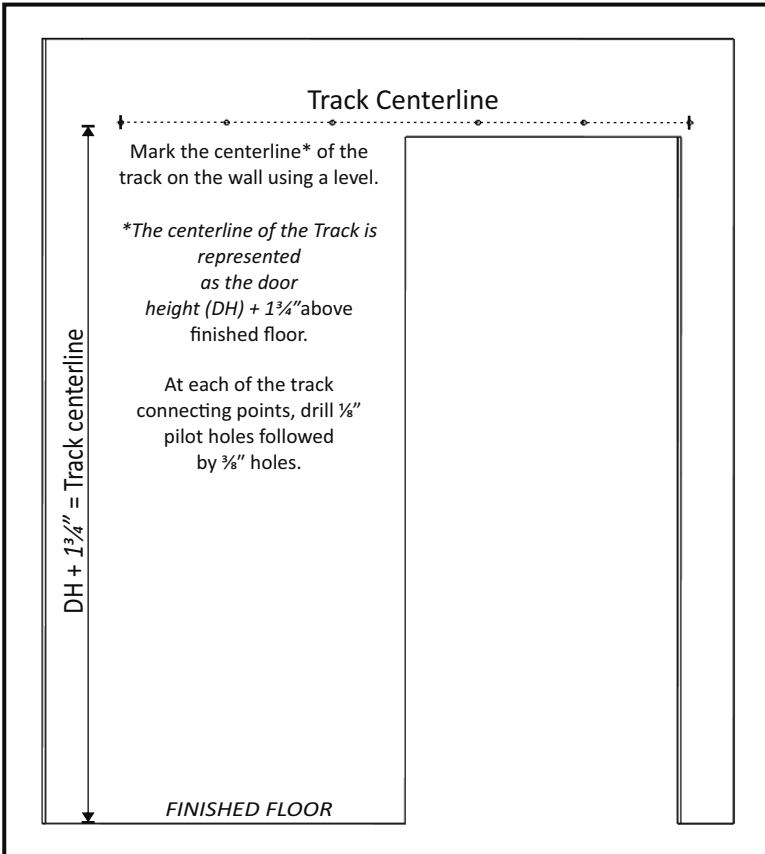
This warranty does not apply to the cosmetic condition of any products or components. Goldberg Brothers barn door hardware is sold as a rustic finished hardware and may develop scratches or other signs of wear during manufacturing or normal installation and use. Further, Goldberg Brothers does not warrant against any cosmetic imperfections in the steel parts that may be seen through the finish.

Certain accessories including but not limited to felt strips, rubber bumper bands, and Soft Stop motion buffer mechanisms have finite expected lifetimes due to wear and loss of tension or resilience during normal use over an extended period. Except for manufacturing defects that become apparent within 1 year of purchase, these accessories are not covered under this limited lifetime warranty. Replacement accessories may be purchased as needed from Goldberg Brothers retailers.

Except for stainless steel components, Goldberg Brothers barn door hardware products are not warranted against rust. Some rusting is possible on any raw steel or powder coated steel hardware installed outdoors or anywhere else that it may be exposed to high humidity, rain, snow, or running water.

This warranty does not include loss or defects caused by elements outside the control of Goldberg Brothers, Inc., such as natural disasters, weather, fire, water leakage, abuse, improper installation, or anything else deemed out of the control of Goldberg Brothers, Inc.

# Track Installation



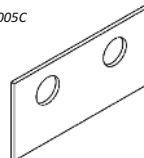
## Optional Accessories

Wall Extension Bolts Set  
Includes 6 lag bolts and 6 wall spacers



	1/2" Extension	3/8" Extension	1 1/4" Extension
1 1/2" Door	Part #60053E	Part #60053EX	Part #60053EXX
1 3/4" Door	Part #60054E	Part #60054EX	Part #60054EXX
2 1/4" Door	Part #60055E	Part #60055EX	Part #60055EXX

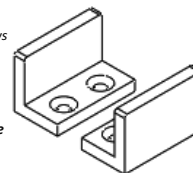
Track Connecting Plate  
1 each  
Part #6005C



Door Guide "U"

1 set  
Includes 2 "U" guides, 2 wood screws and 1 felt pad  
Part #6005U

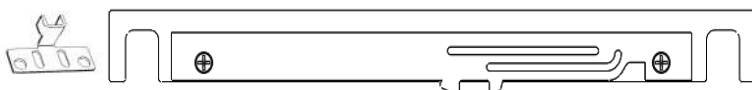
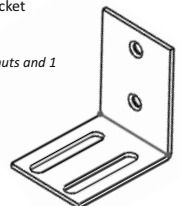
**NOTE:** Use the provided T-guide wood screws for U-guide installation.



Side Wall Guide Bracket

1 each  
Includes 1 bracket, 4 machine screws, 4 nuts and 1 felt pad  
Part #6005SW

**NOTE:** Use the provided T-guide wood screws for side wall guide installation.



Soft Stop

1 set  
Includes 2 Soft Stop mechanisms, 2 triggers and 4 wood screws  
Part #6005SOFT11 (4'-7" track)  
Part #6005SOFT17 (8' + track)



Goldberg Brothers, Inc.  
10488 W Centennial Rd, Suite 100  
Littleton, CO 80127  
(303) 321-1099